



Main Features:-

- ◆ 2 Way ball valve to isolate or regulate flow of product
- ◆ End connection for welded, threaded and flanged joints
- ◆ PN16 Dual-Block valve body manufactured in ABS
- ◆ Durable stem with double O-Ring and double connection key
- ◆ Integrated bracket for valve anchoring



Suitable Applications & Approvals:



VKR DN10/50 ABS

EU MANUFACTURER:



The FIP VKR DUAL BLOCK® valve is a high quality, thermoplastic, full bore ball valve for flow adjustment with a typical linear curve and a design that meets the stringent requirements needed by modern industrial applications.

TECHNICAL SPECIFICATIONS

Construction	2-way True Union ball valve with locked carrier and union nuts.
Size Range	DN 10 ÷ 50
Nominal Pressure	PN 16 with water at 20 °C
Operating Temperature	0 °C ÷ 60 °C
Coupling Standards	Solvent welding: EN ISO 1452, EN ISO 15493, BS 4346-1, DIN 8063, NF T54-028, ASTM D 2467, JIS K 6743. Pipe coupling as per EN ISO 1452, EN ISO 15493, DIN 8062, NF T54-016, ASTM D 1785, JIS K 6741
	Thread: ISO 228-1, DIN 2999, ASTM D 2464, JIS B 0203
	Flanging system: ISO 7005-1, EN ISO 1452, EN ISO 15493, EN 558-1, DIN 2501, ANSI B.16.5 cl. 150, JIS B 2220
Reference Standards	Construction criteria: EN ISO 16135, EN ISO 1452, EN ISO 15493
	Test methods and requirements: ISO 9393
	Installation criteria: DVS 2204, DVS 2221, UNI 11242
	Actuator couplings: ISO 5211
Valve Material	ABS
Seal Material	EPDM, FPM (standard size O-Ring); PTFE (ball seats)

This product is compatible for mounting with standard pneumatic or electric actuators that use standard ISO5211 profiles, when combined with the optional actuation kit accessory. Allvalves can supply this product preassembled with a suitable actuator on request.



T +44 (0)1386 552369

E sales@allvalves.co.uk

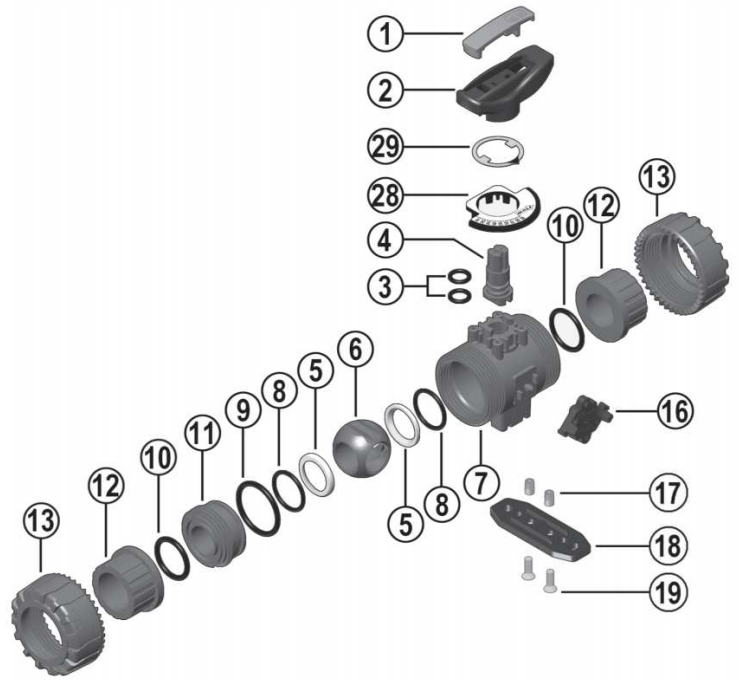
W www.allvalves.co.uk

F +44 (0)1386 554227

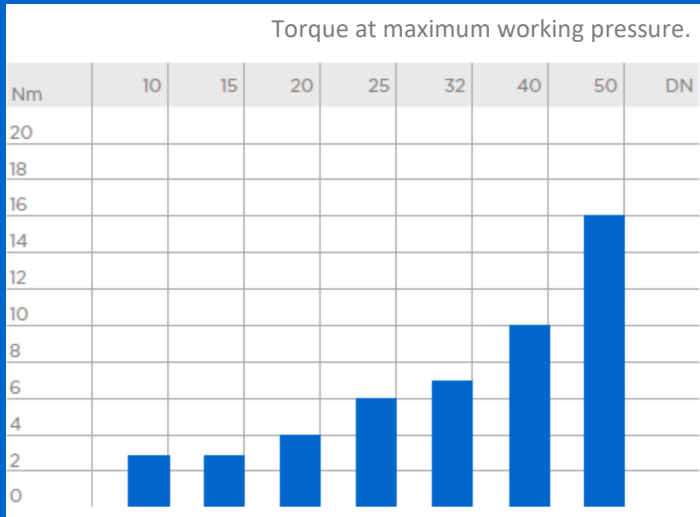


PRODUCT MATERIALS

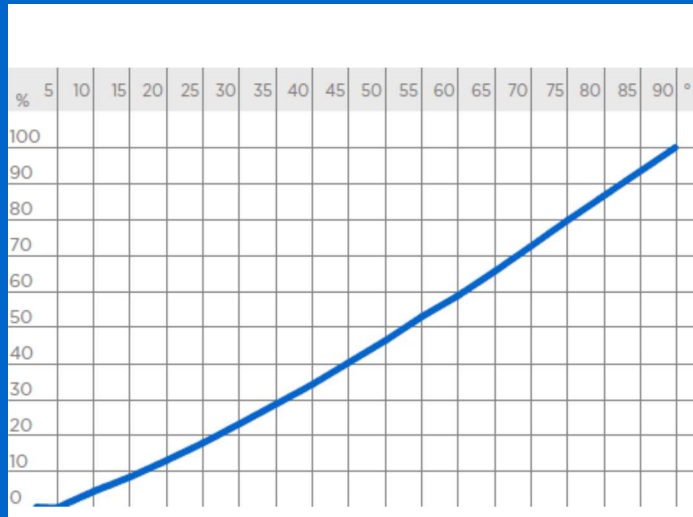
1	Insert	PVC
2	Handle	HIPVC
3	Stem O-ring	EPDM-FPM
4	Stem	ABS
5	Ball seat	PTFE
6	Ball	ABS
7	Body	ABS
8	Support O-ring	EPDM-FPM
9	Radial seal O-ring	EPDM-FPM
10	Socket seal O-ring	EPDM-FPM
11	Support for ball seat	ABS
12	End connector	ABS
13	Union nut	ABS
16	DUAL BLOCK®	POM
17	Bracketing bush	Stainless steel or brass
18	Mounting Plate	PP-GR
19	Screw	Stainless steel
28	Graded plate	POM-PVC
29	Indicator	PVC



OPERATING TORQUE



RELATIVE FLOW



FLOW

DN	10	15	20	25	32	40	50
Kv100 l/min	83	88	135	256	478	592	1068

The Kv100 flow coefficient is the Q flow rate of litres per minute of water at a temperature of 20°C that will generate Δp= 1 bar pressure drop at a certain valve position.

*The Kv100 values shown in the table are calculated with the valve completely open.

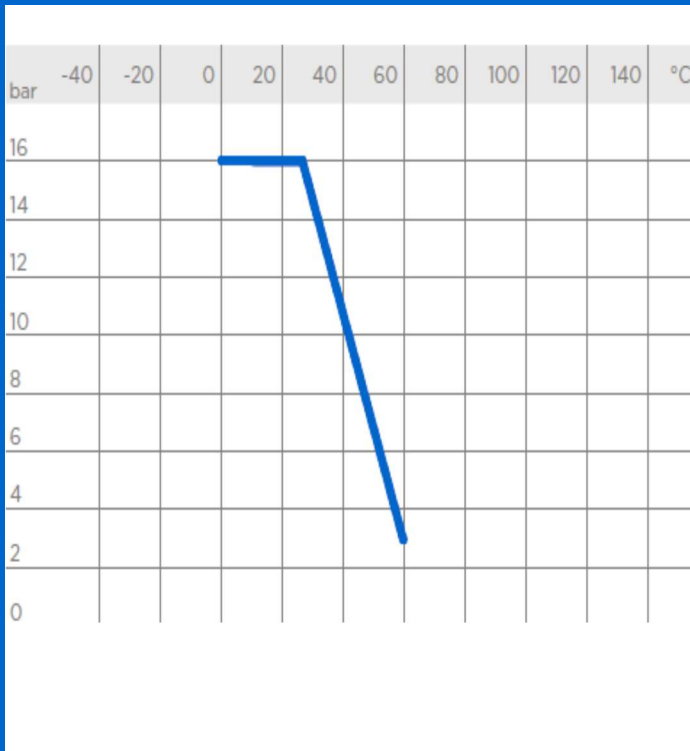


T +44 (0)1386 552369
E sales@allvalves.co.uk

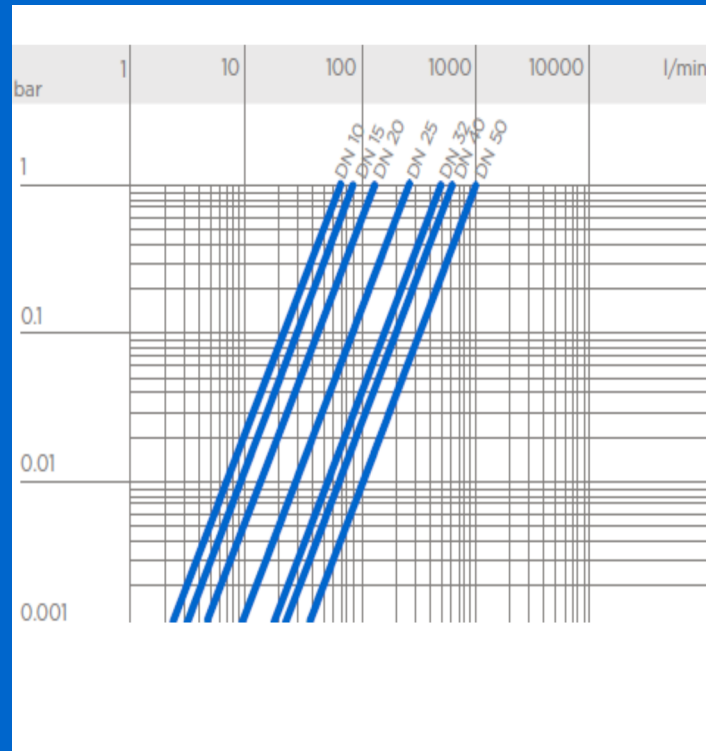
W www.allvalves.co.uk
F +44 (0)1386 554227



PRESSURE w TEMP

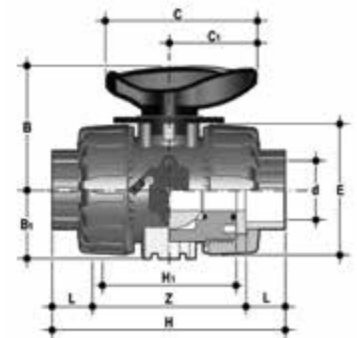


PRESSURE DROP



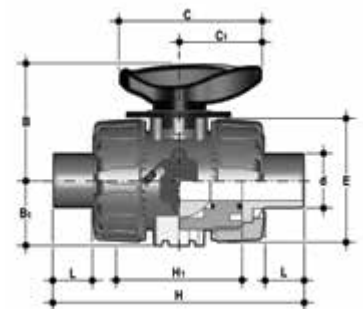
PRODUCT DIMENSIONS

d	DN	PN	B	B ₁	C	G	E	H	H ₁	L	Z	G
16	10	16	54	29	67	40	54	103	65	14	75	215
20	15	16	54	29	67	40	54	103	65	16	71	205
25	20	16	65	34.5	85	49	65	115	70	19	77	330
32	25	16	69.5	39	85	49	73	128	78	22	84	438
40	32	16	82.5	46	108	64	86	146	88	26	94	693
50	40	16	89	52	108	64	98	164	93	31	102	925
63	50	16	108	62	134	76	122	199	111	38	123	1577



VKRDA DUAL BLOCK® regulating ball valve with male ends for solvent welding, metric series

d	DN	PN	B	B ₁	C	G	E	H	H ₁	L	G
16	10	16	54	29	67	40	54	149	65	14	215
20	15	16	54	29	67	40	54	124	65	16	220
25	20	16	65	34.5	85	49	65	144	70	19	340
32	25	16	69.5	39	85	49	73	154	78	22	443
40	32	16	82.5	46	108	64	86	174	88	26	693
50	40	16	89	52	108	64	98	194	93	31	945
63	50	16	108	62	134	76	122	224	111	38	1607



T +44 (0)1386 552369

E sales@allvalves.co.uk

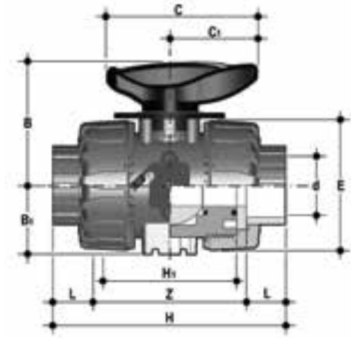
W www.allvalves.co.uk

F +44 (0)1386 554227



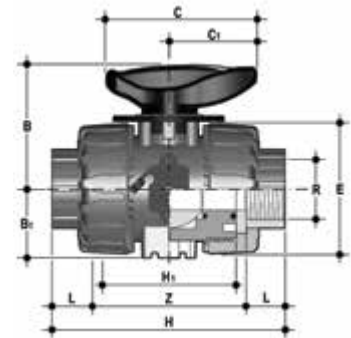
VKRLA DUAL BLOCK® regulating ball valve with female ends for solvent welding, ASTM series

d	DN	PN	B	B ₁	C	G	E	H	H ₁	L	Z	G
3/8"	10	16	54	29	677	40	54	103	65	14.5	74	210
1/2"	15	16	54	29	67	40	54	103	65	16.5	70	205
3/4"	20	16	65	34.5	85	49	65	115	70	19	77	335
1"	25	16	69.5	39	85	49	73	128	78	22.5	83	433
1 1/4"	32	16	82.5	46	108	64	86	146	88	26	94	703
1 1/2"	40	16	89	52	108	64	98	164	93	30	104	925
2"	50	16	108	62	134	76	122	199	111	36	127	1647



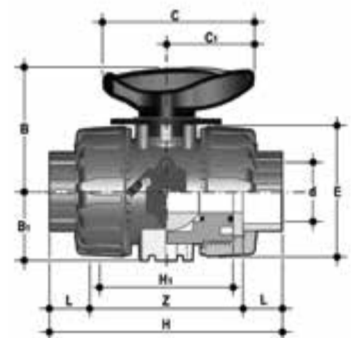
VKRFA DUAL BLOCK® regulating ball valve with BSP threaded female ends

d	DN	PN	B	B ₁	C	G	E	H	H ₁	L	Z	G
3/8"	10	16	54	29	67	40	54	103	65	12	80	215
1/2"	15	16	54	29	67	40	54	110	65	15	80	210
3/4"	20	16	65	34.5	85	49	65	116	70	16	83	335
1"	25	16	69.5	39	85	49	73	134	78	19	96	448
1 1/4"	32	16	82.5	46	108	64	86	153	88	21	110	678
1 1/2"	40	16	89	52	108	64	98	156	93	21	113	955
2"	50	16	108	62	134	76	122	186	111	26	135	1667



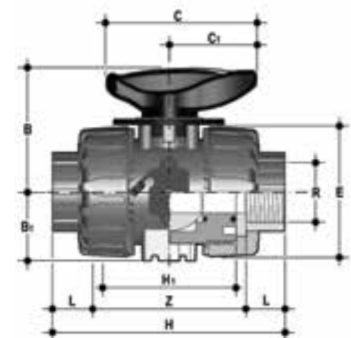
VKRAA DUAL BLOCK® regulating ball valve with female ends for solvent welding, ASTM series

d	DN	PN	B	B ₁	C	G	E	H	H ₁	L	Z	G
3/8"	10	16	54	29	67	40	54	117	65	19.5	78	230
1/2"	15	16	54	29	67	40	54	117	65	22.5	72	215
3/4"	20	16	65	34.5	85	49	65	129	70	25.5	78	345
1"	25	16	69.5	39	85	49	73	142	78	28.7	84.6	448
1 1/4"	32	16	82.5	46	108	64	86	162	88	32	98	718
1 1/2"	40	16	89	52	108	64	98	172	93	35	102	975
2"	50	16	108	62	134	76	122	199	111	38.2	122.6	1712



VKRNA DUAL BLOCK® regulating ball valve with female ends, NPT thread

d	DN	PN	B	B ₁	C	G	E	H	H ₁	L	Z	G
3/8"	10	16	54	29	67	40	54	103	65	13.7	75.6	215
1/2"	15	16	54	29	67	40	54	111	65	17.8	75.4	210
3/4"	20	16	65	34.5	85	49	65	117	70	18	81	335
1"	25	16	69.5	39	85	49	73	135	78	22.6	89.8	448
1 1/4"	32	16	82.5	46	108	64	86	153	88	25.1	102.8	678
1 1/2"	40	16	89	52	108	64	98	156	93	24.7	106.6	955
2"	50	16	108	62	134	76	122	186	111	29.6	126.8	1667



PRODUCT DIMENSIONS



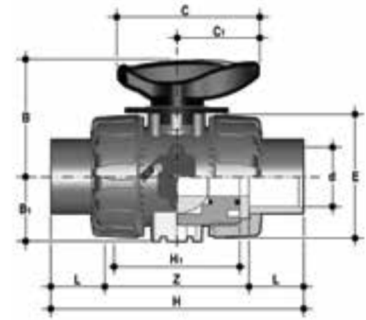
T +44 (0)1386 552369
 E sales@allvalves.co.uk

W www.allvalves.co.uk
 F +44 (0)1386 554227



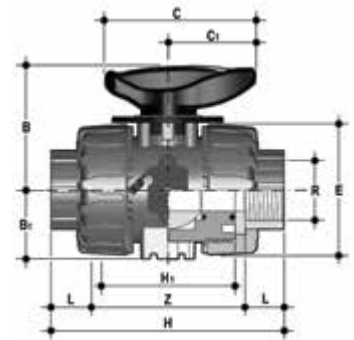
VKRJA DUAL BLOCK® regulating ball valve with female ends for solvent welding, JIS series

d	DN	PN	B	B ₁	C	G	E	H	H ₁	L	Z	G
½"	15	16	54	29	67	40	54	131	65	30	71	225
¾"	20	16	65	34.5	85	49	65	147	70	35	77	335
1"	25	16	69.5	39	85	49	73	164	78	40	84	448
1¼"	32	16	82.5	46	108	64	86	182	88	44	94	728
1½"	40	16	89	52	108	64	98	212	93	55	102	1015
2"	50	16	108	62	134	76	122	248	111	63	122	1727



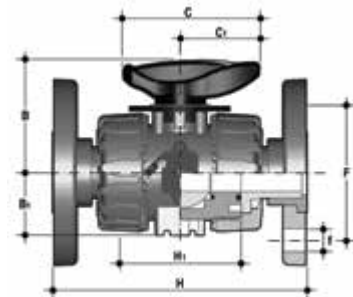
VKRG A DUAL BLOCK® regulating ball valve with female ends, JIS thread

d	DN	PN	B	B ₁	C	G	E	H	H ₁	L	Z	G
½"	15	16	54	29	67	40	54	103	65	16	71	210
¾"	20	16	65	34.5	85	49	65	115	70	19	77	330
1"	25	16	69.5	39	85	49	73	128	78	22	84	438
1¼"	32	16	82.5	46	108	64	86	146	88	25	96	678
1½"	40	16	89	52	108	64	98	164	93	26	112	975
2"	50	16	108	62	134	76	122	199	111	31	137	1627



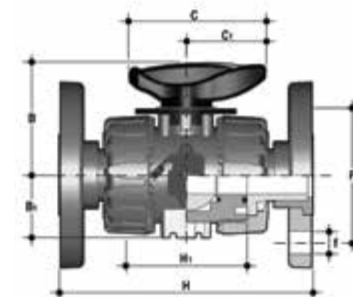
VKROA DUAL BLOCK® regulating ball valve with EN/ISO/DIN fixed flange, drilled PN10/16. Face to face according to EN 558-1

d	DN	PN	B	B ₁	C	G	F	H	H ₁	U	f	Sp	G
20	15	16	54	29	67	40	65	130	65	4	14	11	375
25	20	16	65	34.5	85	49	75	150	70	4	14	14	590
32	25	16	69.5	39	85	49	85	160	78	4	14	14	713
40	32	16	82.5	46	108	64	100	180	88	4	18	14	1108
50	40	16	89	52	108	64	110	200	93	4	18	16	1485
63	50	16	108	62	134	76	125	230	111	4	18	16	2347



VKROAA DUAL BLOCK® regulating ball valve with ANSI B16.5 cl.150#FF fixed flange

d	DN	PN	B	B ₁	C	G	F	H	H ₁	U	f	Sp	G
½"	15	16	54	29	67	40	60.3	143	65	4	15.9	11	460
¾"	20	16	65	34.5	85	49	69.9	172	70	4	15.9	14	632
1"	25	16	69.5	39	85	49	79.4	187	78	4	15.9	14	853
1¼"	32	16	82.5	46	108	64	88.9	190	88	4	15.9	14	1313
1½"	40	16	89	52	108	64	98.4	212	93	4	15.9	16	1669
2"	50	16	108	62	134	76	120.7	234	111	4	19.1	16	2577



PRODUCT DIMENSIONS



T +44 (0)1386 552369
E sales@allvalves.co.uk

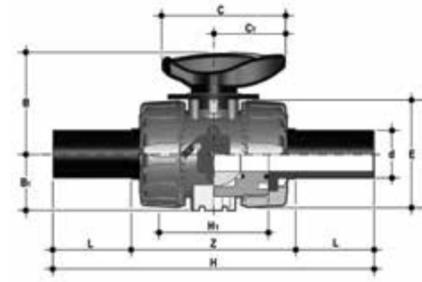
W www.allvalves.co.uk
F +44 (0)1386 554227



DIMENSIONS

VKRBEA DUAL BLOCK® regulating ball valve with PE100 SDR11 male end connectors for butt welding or electrofusion (CVDE)

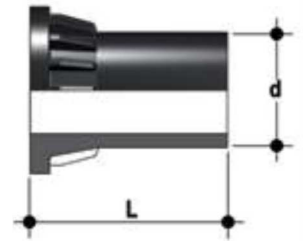
d	DN	PN	B	B	C	G	E	H	H	L	Z	G
½"	15	16	54	29	67	40	54	175	65	41	94	220
¾"	20	16	65	34.5	85	49	65	210	70	52	106	340
1"	25	16	69.5	39	85	49	73	226	78	55	117	443
1¼"	32	16	82.5	46	108	64	86	243	88	56	131	693
1½"	40	16	89	52	108	64	98	261	93	58	145	945
2"	50	16	108	62	134	76	122	293	111	66	161	1607



PRODUCT ACCESSORIES

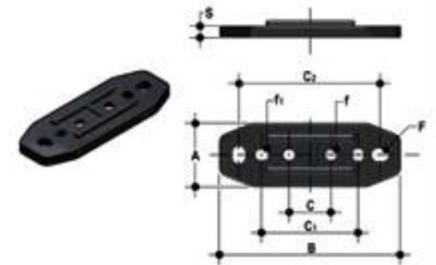
CVDE Long spigot PE100 end connectors for joints with electrofusion fittings or for butt welding

d	DN	PN	L	SDP
20	15	16	55	11
25	20	16	70	11
32	25	16	74	11
40	32	16	78	11
52	40	16	84	11
63	50	16	91	11



PMKD Mounting plate

d	DN	A	B	C	G	G ₂	F	f	f ₁	S
16	10	30	86	20	46	67.5	6.5	5.3	5.5	5
20	15	30	86	20	46	67.5	6.5	5.3	5.5	5
25	20	30	86	20	46	67.5	6.5	5.3	5.5	5
32	25	30	86	20	46	67.5	6.5	5.3	5.5	5
40	32	40	122	30	72	102	6.5	5.3	5.5	5
50	40	40	122	30	72	102	6.5	5.3	5.5	5
63	50	40	122	30	72	102	6.5	5.3	5.5	5



EASYTORQUE KIT Kit for ball seat carrier tightening adjustment for DUAL BLOCK® DN 10+50 series valves

d	DN	Tightening torque Recommended*
⅜-½"	10-15	3 Nm (2,21 Lbf ft)
¾"	20	4 Nm (2,95 Lbf ft)
1"	25	5 Nm (3,69 Lbf ft)
1¼"	32	5 Nm (3,69 Lbf ft)
1½"	40	7 Nm (5,16 Lbf ft)
2"	50	9 Nm (6,64 Lbf ft)

*calculated in ideal installation conditions



T +44 (0)1386 552369

E sales@allvalves.co.uk

W www.allvalves.co.uk

F +44 (0)1386 554227